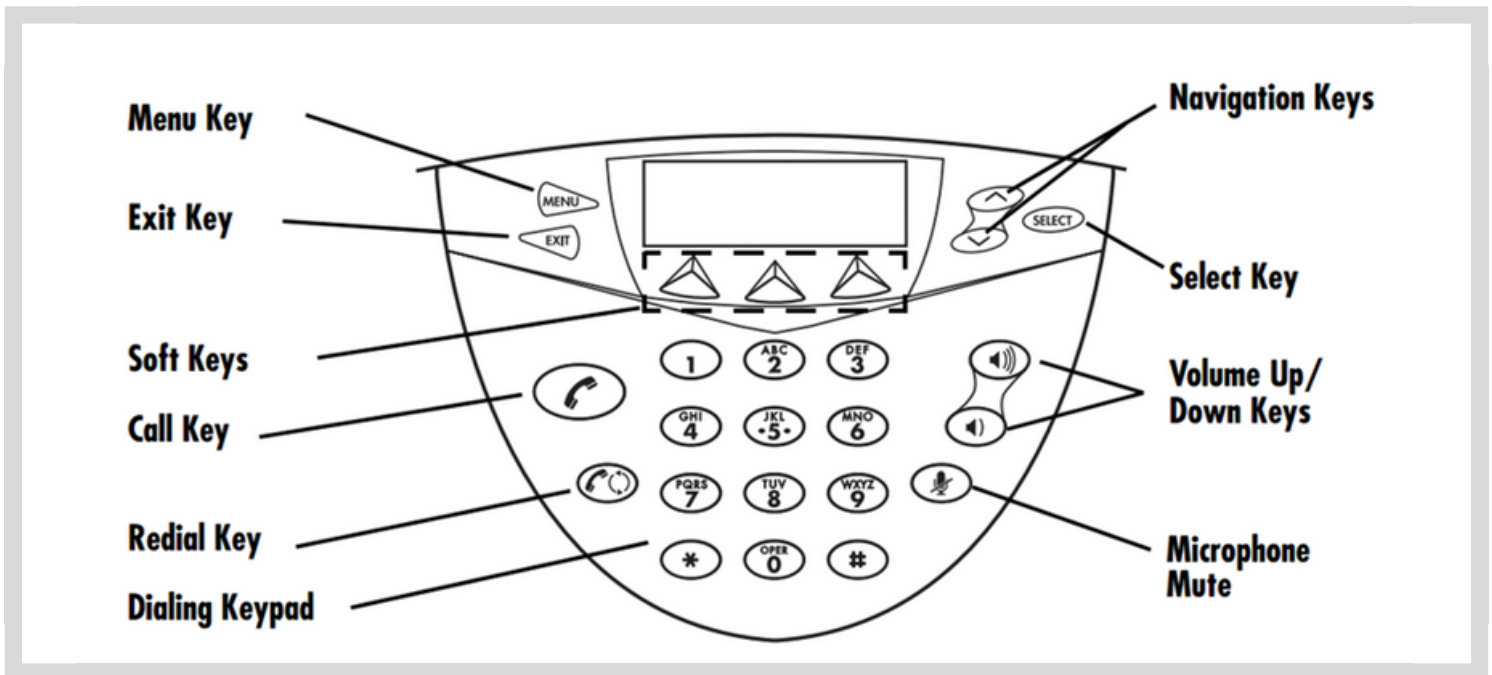
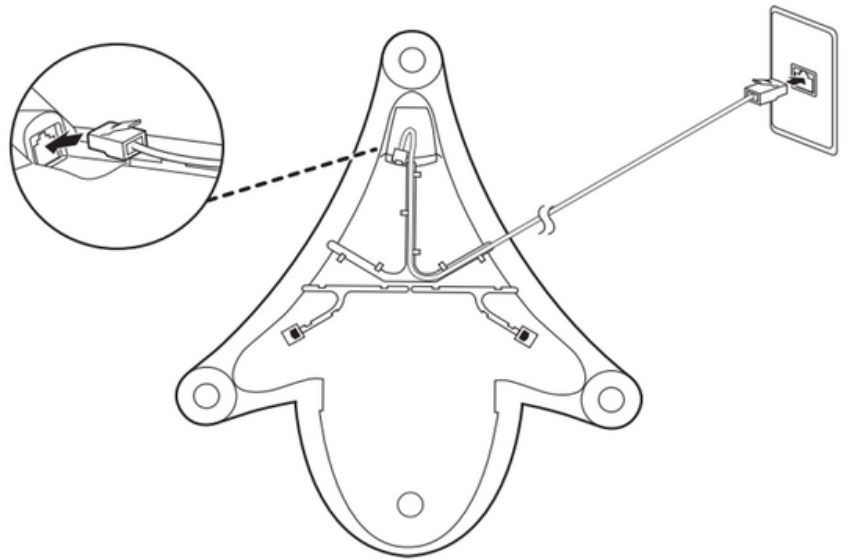


## INSTALLATION

To install the SoundStation IP 6000, plug one end of the network cable into the network port on the bottom of the SoundStation console, and plug the other end of the network cable into your data port.

After it has been connected to the network, the SoundStation IP 6000 automatically powers up via Power over Ethernet (PoE) and begins a process of establishing itself on the network. When this is complete, the idle screen is displayed.



## HOW TO

### To Make a Call

- Enter the desired number, and then press the Dial soft key. The active call displays on the screen showing the call duration and destination

### To Answer a Call

Press the Answer soft key

### Setting Up a Conference Call

- Call the first party  
 - Press the Confnc soft key (you may need to press More to see the Confnc key). The active call is placed on hold  
 - Enter the number of the second party, and press the Send soft key  
 - When the second party answers, press the Confnc soft key to join all parties

### To End a Call

- Press the Call Key or the End Call soft key